



Fire-Lite[®] Alarms
INCORPORATED

June 16, 1998

G-290

PA400
Mini-Alert™ Sounder
with Optional Strobe

Section: Audio/Visual Devices

GENERAL

System Sensor's model **PA400 Mini-Alert Sounder** is compact and reliable.

Sounders

Model PA400, the Mini-Alert piezo horn, has a 90 dBA pulsed sound output, and operates at 12 and 24 VDC and full wave rectified unfiltered. This compact device is ideal for hotel, motel, or residential fire system applications, where aesthetics demand a small indicating device.

Strobes

The UL 1638 compliant PS Series signal strobe is an electronic visible warning signal that flashes approximately once every 1.5 seconds. Available in a 1.5 cd light intensity, the strobe light uses an extremely reliable xenon flash tube with low current requirements. The electronic circuit is enclosed within the durable polycarbonate lens. All circuits are polarized to be compatible with DC alarm supervision and satisfy the latest code requirements for primary visible signaling.

PSLO add-on strobes field install to the PA400 Series sounders, but are listed for secondary visible signaling only.

FEATURES

- Attractive styling (ideal for residential or hotel applications).
- Polarized for DC supervision.
- Interrupted tone.
- 90 dBA output at 10 feet (3 meters).
- 1.5 candela add-on strobe (secondary signaling).
- Operates from 10 to 32 VDC.
- Low current drain.
- Easy field-wiring with SEMS screws.
- Available in red, beige or white.
- Mounts in standard single-gang backbox.
- Three-year warranty.

CONSTRUCTION AND OPERATION

The sounder operates electronically and uses the piezo effect. The sounder is mounted on a wall plate which is available in red, white or beige. Optional strobes (models PS12LO and PS24LO) are easily mounted to sounders in the field. The *red*-colored sounder is intended for use in the alarm indicating circuit of a UL listed 12 or 24 VDC fire alarm control panel. Optional strobe additions of the PA400 (models PS12LO and PS24LO) require a 12 or 24 VDC panel respectively. These devices are available in dual voltages, red or beige (PA400 is available in white), and mount in several different configurations.



S4011 (PA400)
S3593 (PSLO)



CS548
(PA400)

MEA

427-91-E (PA only)



California
State Fire
Marshal
7135-1209:143
(PA400)
7135-1209:123
(PSLO)



0W4A5.AY



The PA400
with Optional Strobe



The PA400

APPLICATIONS

Piezo sounder is designed for fire alarm and security hazard warning. Optional strobe is recommended to protect the hearing impaired and anyone occupying noisy areas.

The National Fire Protection Association publishes codes, standards, and recommended practices for the installation and use of sounders and strobes.

This document is not intended to be used for installation purposes. We try to keep our product information up-to-date and accurate. We cannot cover all specific applications or anticipate all requirements. All specifications are subject to change without notice. For more information, contact **Fire-Lite**. Phone: (203) 484-7161 FAX: (203) 484-7118



12 Clintonville Road, Northford, Connecticut 06472

ISO-9001
Engineering and Manufacturing
Quality System Certified to
International Standard ISO-9001



Made in the U.S.A.

SPECIFICATIONS

Mini-Alert™ Sounder/Strobe

Mechanical: **AWG:** 12 (3.25 mm²) to 18 (0.75 mm²). **Dimensions without strobe:** 4-9/16" (115.89 mm) high x 2-13/16" (71.44 mm) wide x 1-1/8" (28.58 mm) deep; **dimensions with strobe:** 4-9/16" (115.89 mm) high x 2-13/16" (71.44 mm) wide x 2" (50.8 mm) deep. **Weight without strobe:** 2.4 oz. (68 g.); **weight with strobe:** 5.6 oz (159 g.). **Mounting:** 2-1/2" (63.5 mm) single-gang backbox.

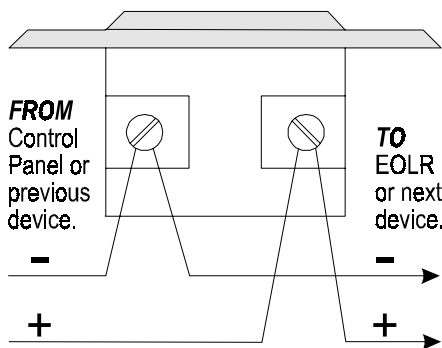
Operating temperature range: 14°F to 140°F (-10°C to 60°C).

Operating voltage: 12 and 24 VDC and full-wave rectified unfiltered. Actual 12 volt operating voltage cannot be less than 9.6 VDC or greater than 15.4 VDC; actual 24 volt operating voltage cannot be less than 18 VDC or greater than 33 VDC.

NOTE: All models can be powered using full-wave rectified unfiltered supplies. Under no circumstances can MA 12/24, SS12/24, or PA400 series devices input voltage exceed 33 VDC or be less than 9.6 VDC.

CURRENT DRAW / SOUND OUTPUT				
	Current (mA)		Reverberant (UL Rating)	Anechoic @ 10 ft. (3.048 m)
	12 V	24 V		
PA400	12	15	82 dBA	90 dBA
PA400 with PS__LO 1.5 cd	62	40	75 dBA	83 dBA

WIRING



NOTE: Shown with control panel in alarm. Panel polarity reversed in supervisory condition.

INSTALLATION

Installation instructions are packaged with each unit. The PA400 is intended for mounting to a standard 2-1/2" deep single-gang box which allows sufficient clearance for conduit entrance. The PA400 is compatible with DC line supervision. The piezo sounder is polarized and has terminals marked with polarity. Apply positive supply voltage to (+) terminal and negative supply voltage to the (-) terminal [See wiring diagram]. Mount the appliance to the electrical outlet box using the two mounting screws supplied. Wiring must be in compliance with all codes and must not be of such length or wire size which would cause the appliance to operate outside of its published specifications.

The National Fire Protection Association has published codes, standards, and recommended practices for the installation and use of sounders and strobes. It is recommended that the installer be familiar with these requirements, with local codes, and any special requirements of the Local Authority Having Jurisdiction.

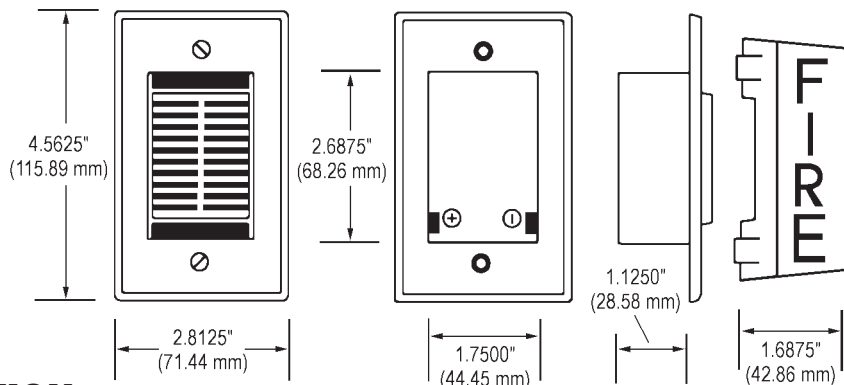
ARCHITECTURAL/ENGINEERING SPECIFICATIONS

Sounder shall be a System Sensor Model _____, capable of operating at 12 and 24 VDC. Sounder shall be listed to Underwriter's Laboratories Standard 464 for fire protection signaling systems. Sounder shall have an operating temperature between 14°F and 140°F (-10°C to 60°C). Sounder shall have eight tone options, selected by means of clip(s).

For sounder/strobe combination:

Sounder/strobe shall be a System Sensor Sounder/Strobe Model _____, capable of operating at 12 or 24 VDC. Sounder/strobe shall be listed to Underwriters' Laboratories Standard 464/1638 for fire protection signaling systems. Sounder/strobe shall have an operating temperature between 14°F and 140°F (-10°C to 60°C). Strobe shall have a minimum light output of 1.5 or 15 candela and shall be UL listed as a secondary signaling device.

DIMENSIONS



PRODUCT LINE INFORMATION

RED	WHITE	BEIGE	DESCRIPTION	VOLTAGE	CURRENT	CANDELA
PA400R	PA400W	PA400B	90 dBA Sounder	12/24 VDC	12 mA	—
PS12LO	—	—	Add-on Strobe	12 VDC	50 mA	1.5
PS24LO	—	PS24LOB	Add-on Strobe	24 VDC	25 mA	1.5